

J.D. Preceipe



Reval USA, Inc  
Houston phone: (713) 466 32 11  
Headquarters (Brazil): 011 55 54 3213 6200  
Fax: 011 55 54 3213 6202 - email: export@reval.com.br

REVAL

CLOSURE





# KITCHEN

## REVAL

Products featured in this brochure are carefully manufactured in Brazil by one of the leading manufacturers in the Americas.

Reval was established in 1986 and has ever since focused in developing new solutions in accessories for the cabinet industry.

Close attention to detail and an updated, fully integrated manufacturing plant result in what we truly believe is one of the most effective solutions for the cabinet industry.

The selection in this brochure is focused in the North American market and is available through our factory warehouse in Houston, TX as well as through a few distributors in North America.

For complete line, please browse through our website at [www.reval.com.br](http://www.reval.com.br).

## QUADDRUS PULLOUT PANTRY

### FRAMES

Item	Height X Depth	Description
2502/F	26 1/2" to 29 1/2" X 22"	22" deep cabinet Designed for 2 baskets
2504/F	52" to 55" X 22"	22" deep cabinet Designed for 4 baskets
2506/F	79 3/4" to 83" X 22"	22" deep cabinet Designed for 6 baskets

Slides for 2504/F and 2506/F are designed for 400 lbs loading capacity.

### SET WITH 2 BASKETS

Item	Height x width x depth	Cabinet width
2512/2	4" X 9 3/4" X 21 1/4"	12"
2515/2	4" X 12 3/4" X 21 1/4"	15"
2518/2	4" X 15 3/4" X 21 1/4"	18"
2521/2	4" X 18 3/4" X 21 1/4"	21"



## QUADDRUS ORGANIZERS



4200

4300



4400

Item	Prod. Dimensions (h x w x d)	Cabinet opening	
4200	18 1/2" X 6 1/2" X 18 1/2"	23 5/8" X 6 5/8" X 19"	Chrome plated
4200J*			Stainless steel
4300	18 1/2" X 10 3/8" X 18 1/2"	23 5/8" X 10 1/2" X 19"	Chrome plated
4300J*			Stainless steel
4400	18 1/2" X 14 3/8" X 18 1/2"	23 5/8" X 14 1/2" X 19"	Chrome plated
4400J*			Stainless steel

\*Check for availability of stainless steel.

## CAN & BOTTLE HOLDERS

## PULLOUT TOWEL HOLDER



3505



3506

Item	Prod. Dimensions (w x d)	Description
3505	4" X 20"	3 sticks (wire thickness - 7.8mm) Side mount
3506	4" X 20"	2 sticks (wire thickness - 7.8mm) Side mount or top mount



3810/F

\*Designed for 6 or 9 baskets



3806/ZN



3811/F

\*Designed for 3 baskets

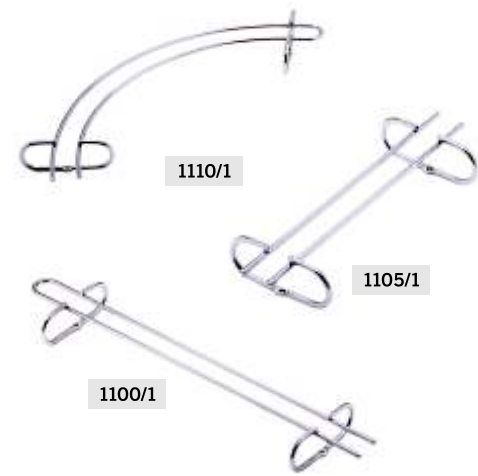
Item	Product Dimension	Cabinet opening (w x d)	Description
3810/F	80" X 1 1/4" X 19 3/4"	--- X 19 3/4"	Frame only
3811/F	23 1/2" X 1" X 19 3/4"	--- X 19 3/4"	Side mount
3833	2 3/4" X 2 3/8" X 18 1/4"	2 1/2" X 19 3/4"	Set w/ 3 baskets for
3843	3 3/4" X 3 3/4" X 18 1/4"	4" X 19 3/4"	3810/F and 3811/F
3873	3 3/4" X 6 3/4" X 18 1/4"	7" X 19 3/4"	
3804/ZN	18 1/2" X 4 1/4" X 19"	23 3/4" X 4 3/4" X 20"	02 stainless steel trays included
3806/ZN	19 1/2" X 10" X 19"	23 3/4" X 10 1/4" X 20"	Bottom mount

## REVERSUS

Shelves swing out independently. Trays mount to both left and right door opening. Produced according to customer specs (minimum of 50 pcs). Loading capacity: 25 lbs per tray. Anti-slip bottoms.



## GLASSWARE HOLDERS



Item	Size
1100/1	16 1/2"
1105/1	9 7/8"
1110/1	15"

## PULLOUT WASTE-BINS



Item	Product dimensions (h x w x d)	Cabinet opening
7002	24 3/8" X 14 3/16" X 19 7/8"	25 3/4" X 14 1/2" X 20"
7003	24 3/8" X 9 1/2" X 14 3/16"	25 3/4" X 9 7/8" X 14 1/2"

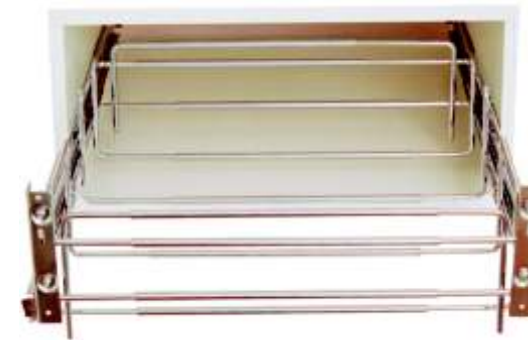
## LAZY SUSAN



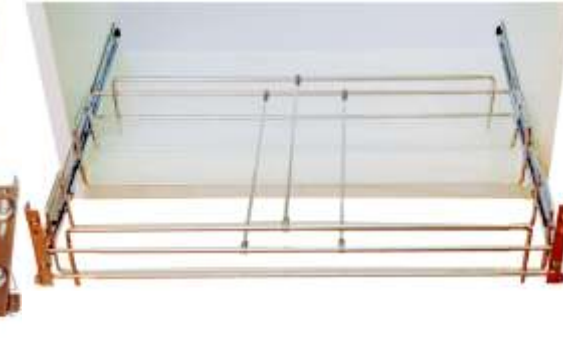
Item	Tray diameter	Unit comprises
3010E	18" (Round)	02 trays, hardware and telescopic pole (26" to 31 7/8" - height)
3015E	24" (Round)	
3020E	28" (Round)	
3026	28" (Kidney)	
3027	32" (Kidney)	
3010/P	Optional - item 3010E	1 set with 10 plastic clear bottoms
3015/P	Optional - item 3015E	
3020/P	Optional - item 3020E	
3026/P	Optional - item 3026E	
3027/P	Optional - item 3027E	

## TELESCOPIC BASKETS

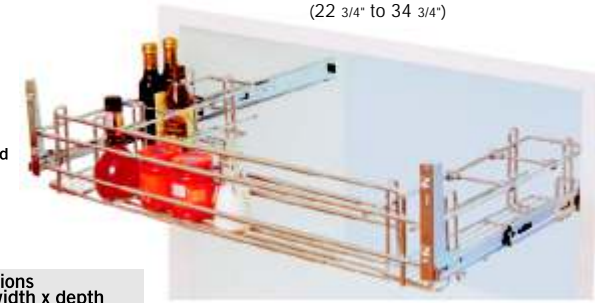
Chrome Plated



**6110TF**  
Expandable width  
(14 1/4" to 22 1/4")



**6100TF**  
Expandable width  
(22 3/4" to 34 3/4")



**6165BTF**  
Wire bottoms included  
Expandable width  
(30 1/4" to 40")

Item	Prod. Dimensions height x expandable width x depth
6100TF	8 1/4" X 22 3/4" to 34 3/4" X 19 3/4"
6110TF	6" X 14 1/4" to 22 1/4" X 19 3/4"
6165/BTF	8 1/4" X 30 1/4" to 40" X 19 3/4"

-All baskets include slides and drawer front accessory.  
-Bottoms to be added according to cabinet width for items # 6100TF and 6110TF.  
-Minimum widths may be reduced by cutting down wires and tubing.  
-Widths informed are actual basket width extension including slides.

## PULL-DOWN WARDROBE LIFT



1080  
1081



1083

Translucent polycarbonate sides

## QUADDRUS PULL-DOWN WARDROBE LIFT



STF/1080  
STF/1081

Steel high gloss chrome plated sides



ST/1080  
ST/1081

Item	Prod. Dimensions (h x w)	Cabinet Opening (h x d)	Description
1081	34 1/4" X 23 5/8" to 32 3/4"	39 3/8" X 18 7/8"	Side mount
1080	34 1/4" X 32 3/4" to 45 1/4"	39 3/8" X 18 7/8"	Side mount
1083	34 1/4" X 32 3/4" to 45 1/4"	39 3/8" X 18 7/8"	Side mount
ST/1081*	34 1/4" X 23 5/8" to 32 3/4"	39 3/8" X 17 3/4"	Side mount
ST/1080	34 1/4" X 32 3/4" to 45 1/4"	39 3/8" X 17 3/4"	Side mount
STF/1081*	34 1/4" X 23 5/8" to 32 3/4"	39 3/8" X 17 3/4"	Wall mount
STF/1080	34 1/4" X 32 3/4" to 45 1/4"	39 3/8" X 17 3/4"	Wall mount

\* Items available only under special request.

## EXPANDABLE SHOE HOLDER

Chrome plated



1050E

Slides included

1073E



Item	Prod. dimensions (width x depth)
1050E	23 1/2" to 39 1/2" X 8 1/2"
1073E	24" to 33" X 12"

## BELT HOLDER

Chrome plated

1039



Length: 12 3/4"

## TIE HOLDER

Chrome plated

Item	Prod. dimensions (w x d)
1030	7" X 15 1/2"

Up to 15 ties

1030



## PANTS HOLDER

Chrome plated

Item	Prod. dimensions (w x d)	Cabinet opening
3100/16	16 1/8" X 16"	16 1/2" X 16"

Brackets will mount to 14" deep cabinets



## BOTTOM MOUNT PULLOUT HAMPER

Chrome plated



Item	Prod. dimensions	Cabinet opening
7004	19" X 13 1/2" X 19 3/4"	20" X 13 3/4" X 20 1/2"

## VALET ROD

Depth - 12"



5023 Chrome plated

## TUBE AND SUPPORTS



3011  
Ask for O2 supports - 1089  
and O1 central support - 1088



1088  
Central support for oval tube (steel)  
Chrome plated



1089  
Support for oval tube (steel)  
Chrome plated



CLOSET